

# Paris Deluxe 570G

## Spare Parts

## Ersatzteil-Liste

| Pos. | Art. Nr.   | Description                                  | Beschreibung                                   |
|------|------------|--|--|
| 1    | 18.350.73  | Lid 570 LH, onyx                             | Deckel 570 LH, onyx                            |
| 2    | 18.322.35  | Lid handle, titan-silver                     | Deckelgriff, titan-silber                      |
| 3    | 18.323.00  | Heat Shield                                  | Hitzeschild                                    |
| 4    | 18.822.49  | Logo plate                                   | Logoplatte                                     |
| 5    | 18.320.10  | Lid Hinge                                    | Deckelscharnier                                |
| 6    | 18.850.21  | Heat indicator °C/°F                         | Temperatur Anzeige °C/°F                       |
| 7    | 18.850.14  | Frame for heat indicator                     | Rahmen zu Temperaturanzeiger                   |
| 8    | 18.850.12  | Heat indicator-Nut                           | Temperaturanzeiger-Befestigungsmutter          |
| 9    | 18.320.00  | Cooking grid                                 | Grillrost                                      |
| 10   | 18.320.02  | Large Funnel                                 | Grosser Trichter                               |
| 11   | 18.320.03  | Small Funnel                                 | Kleiner Trichter                               |
| 12   | 18.350.88  | Bowl LH DB Pt, onyx                          | Kugel LH DB Pt, onyx                           |
| 13   | 18.614.04  | Control knob                                 | Gasregulier-Knopf                              |
| 14   | 18.614.05  | Frame for control knob                       | Rahmen zu Gasregulier-Knopf                    |
| 15   | 18.323.26  | Control panel DB Paris titan-silver          | Bedienkonsole DB Paris titan-silber            |
| 16   | 18.340.79  | Valve assembly with Bundy DB Paris 30mbar    | Ventilsatz mit Bundy DB Paris 30mbar           |
| 16   | 18.340.80  | Valve assembly with Bundy DB Paris 50mbar    | Ventilsatz mit Bundy DB Paris 50mbar           |
| 17   | 18.340.58  | Venturiprotection DB small                   | Venturischutz DB klein                         |
| 18   | 18.340.57  | Venturiprotection DB & SB                    | Venturischutz DB & SB                          |
| 19   | 18.340.08  | Pulse ignitor DB complete                    | Elektro-Zündung DB Komplett                    |
| 20   | 18.360.21  | Push button ignitor                          | Druckknopf Zündung                             |
| 21   | 18.340.02  | Burner small 30mbar                          | Brenner klein 30mbar                           |
| 21   | 18.340.45  | Burner small 50mbar                          | Brenner klein 50mbar                           |
| 22   | 18.340.00  | Burner large 30mbar                          | Grosser Brenner 30mbar                         |
| 22   | 18.340.44  | Burner large 50mbar                          | Grosser Brenner 50mbar                         |
| 23   | 18.340.12  | Ignition wire                                | Zündungskabel                                  |
| 24   | 18.340.11  | Piezo electrode large burner Kettle Grill    | Piezo-Elektrode grosser Brenner Kugelgrill     |
| 25   | 18.340.10  | Piezo electrode small burner Kettle Grill    | Piezo-Elektrode kleiner Brenner Kugelgrill     |
| 26   | 18.323.27  | Control panel side burner Paris titan-silver | Bedienkonsole Seitenbrenner Paris titan-silber |
| 27   | 18.340.60  | Side burner                                  | Seitenbrenner                                  |
| 28   | 18.323.13  | Side burner grate                            | Seitenbrenner Rost                             |
| 29   | 18.340.90  | Side burner cap                              | Seitenbrenner Kappe                            |
| 30   | 18.340.81  | Valve assembly side burner 30mbar            | Ventilsatz Seitenbrenner 30mbar                |
| 30   | 18.340.82  | Valve assembly side burner 50mbar            | Ventilsatz Seitenbrenner 50mbar                |
| 31   | 18.340.07  | Puls ignitor SB, complete                    | Elektro-Zündung SB, Komplett                   |
| 32   | 18.340.33  | Piezo electrode side burner                  | Piezo-Elektrode Seitenbrenner                  |
| 33   | 18.612.27  | Connection Hose side burner                  | Verbindungsrohr Seitenbrenner                  |
| 34   | 18.323.04  | Drip Pan                                     | Fettauffangschale                              |
| 35   | 18.323.05  | Drip Pan carrier                             | Fettauffangschale Halterung                    |
| 36   | 18.380.16  | Granit stone                                 | Granit Platte                                  |
| 37   | 18.323.41  | Side burner frame, titan-silver              | Seitenbrenner-Rahmen, titan-silber             |
| 38   | 18.322.85  | Bowl frame, titan-silver                     | Kugelrahmen, titan-silber                      |
| 39   | 18.323.49  | Side burner body                             | Seitenbrennergehäuse                           |
| 40   | 18.322.48  | Legs left, titan-silver                      | Beine links, titan-silber                      |
| 41   | 18.322.53  | Legs right, titan-silver                     | Beine rechts, titan-silber                     |
| 42   | 18.323.32  | Guidance bar                                 | Plattenführung                                 |
| 43   | 18.322.36  | Lower frame, titan-silver                    | Unterer Rahmen, titan-silber                   |
| 44   | 18.360.34  | Puffer                                       | Puffer   |
| 45   | 18.322.29  | Bottle jacket, black                         | Flaschenschale, schwarz                        |
| 46   | 18.322.54  | Bottom shelf, black                          | Bodenplatte, schwarz                           |
| 47   | 18.322.94  | Tool holder                                  | Besteckhalterung                               |
| 48   | 18.360.27  | Caster with brake                            | Rad mit Bremse                                 |
|      | 18.379.05  | Hardware-Set                                 | Schrauben-Set                                  |
| 49   | individual | Gas hose                                     | Gasschlauch                                    |
| 50   | individual | Gas regulator                                | Gasdruckregler                                 |

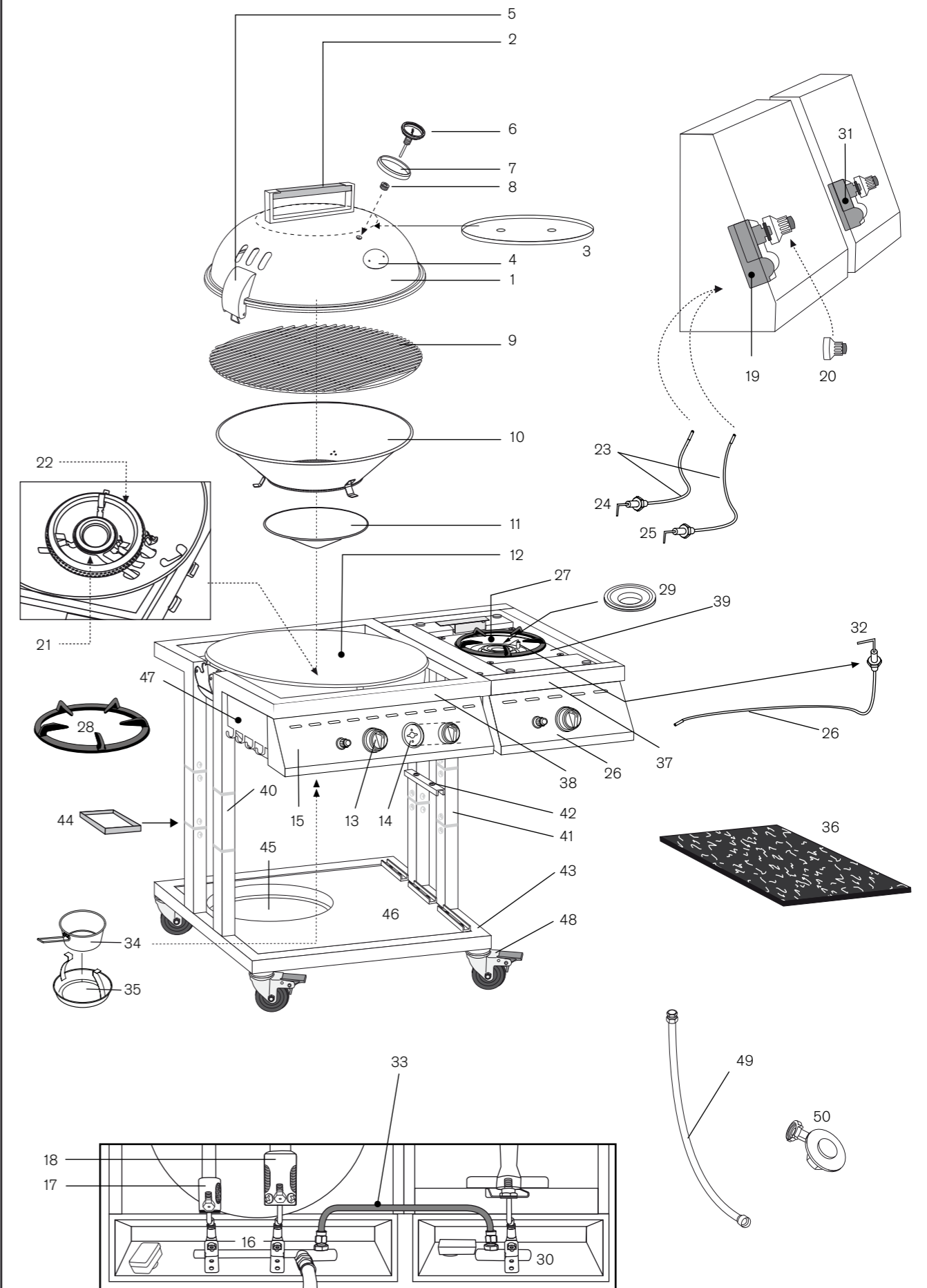
### Attention

Please write your serial number on the backside of the manual for future reference. You will find the number on the data plate attached to the trolley or the bottom plate depending on the grill model. OUTDOORCHEF can only supply spare parts and honour warranty returns when the serial number is available.

### Achtung

Bitte notieren Sie auf der Rückseite Ihrer Gebrauchsanweisung die Serien-Nummer. Je nach Grillmodell finden Sie die Nummer auf dem Datensticker, welcher sich entweder am Grillgestell oder auf der Bodenplatte befindet. OUTDOORCHEF kann Garantie und Ersatzteillieferungen nur mit der Serien-Nummer bearbeiten.

# Paris Deluxe 570G



# Paris Deluxe 570G

| B    | Lid       |                              | Deckel                             |
|------|-----------|------------------------------|------------------------------------|
| Pos. | Art. Nr.  | Description                  | Beschreibung                       |
| B1   | 18.370.86 | Protection washer lid handle | Schutz-Unterlagscheibe Deckelgriff |
| B2   | 18.370.76 | Teflonwasher                 | U-Scheibe Teflon                   |
| B3   | 18.370.62 | Washer                       | U-Scheibe                          |
| B4   | 18.370.39 | Twin screw Lid handle        | Zwillingschraube Deckelgriff       |
| B5   | 18.370.43 | Nut                          | Mutter                             |
| B6   | 18.371.03 | Teflonwasher                 | U-Scheibe Teflon                   |
| B7   | 18.371.02 | Washer                       | U-Scheibe                          |
| B8   | 18.370.48 | Nut                          | Mutter                             |

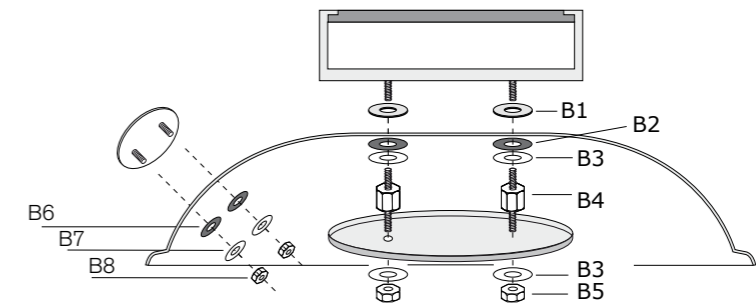
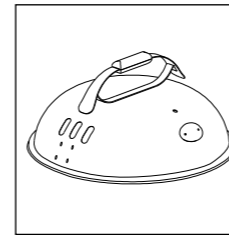
| D    | Valve assembly & Panel |             | Ventilsatz & Konsole |
|------|------------------------|-------------|----------------------|
| Pos. | Art. Nr.               | Description | Beschreibung         |
| D1   | 18.370.05              | Screw       | Schraube             |
| D2   | 18.371.00              | Screw       | Schraube             |

| F    | Piezo electrode |                        | Piezo-Elektrode           |
|------|-----------------|------------------------|---------------------------|
| Pos. | Art. Nr.        | Description            | Beschreibung              |
| F1   | 18.371.01       | Screw                  | Schraube                  |
| F2   | 18.371.02       | Washer                 | U-Scheibe                 |
| F3   | 18.371.03       | Teflonwasher           | U-Scheibe Teflon          |
| F4   | 18.371.04       | Spring washer          | Federring                 |
| F5   | 18.370.48       | Nut                    | Mutter                    |
| F6   | 18.371.11       | Holder piezo electrode | Halterung Piezo Elektrode |

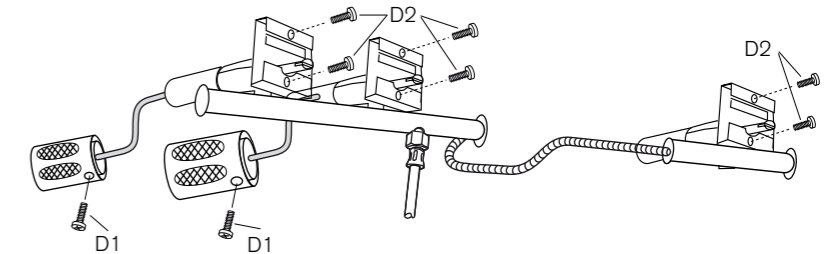
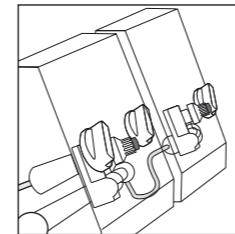
# Paris Deluxe 570G



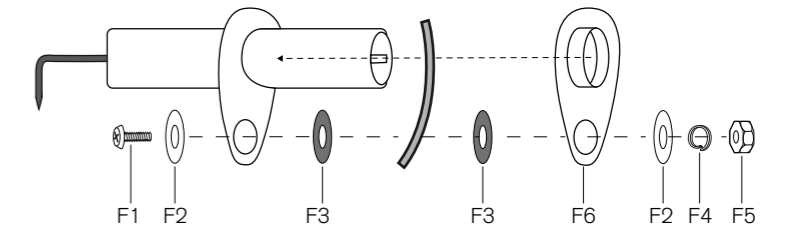
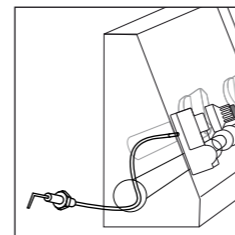
B

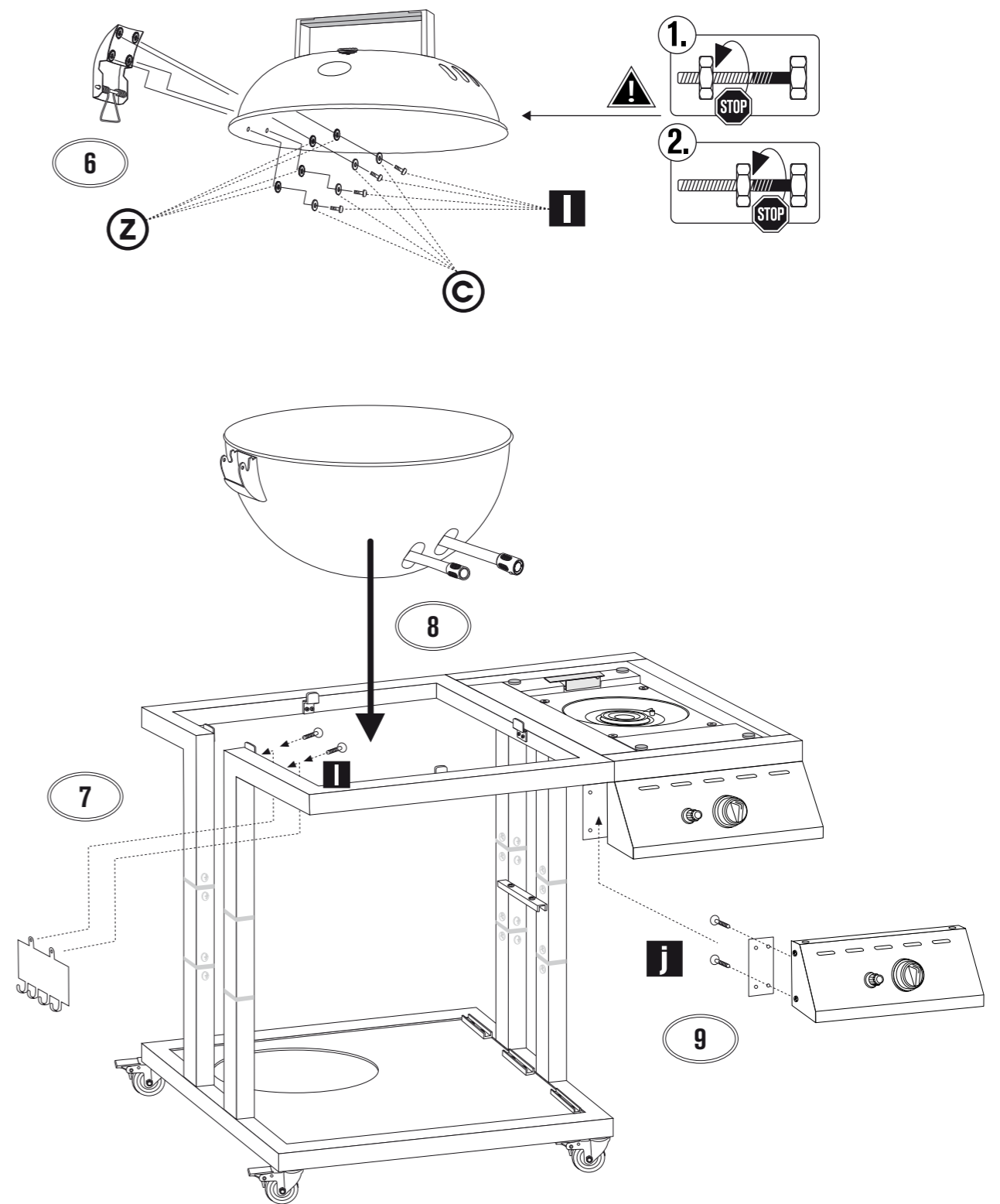
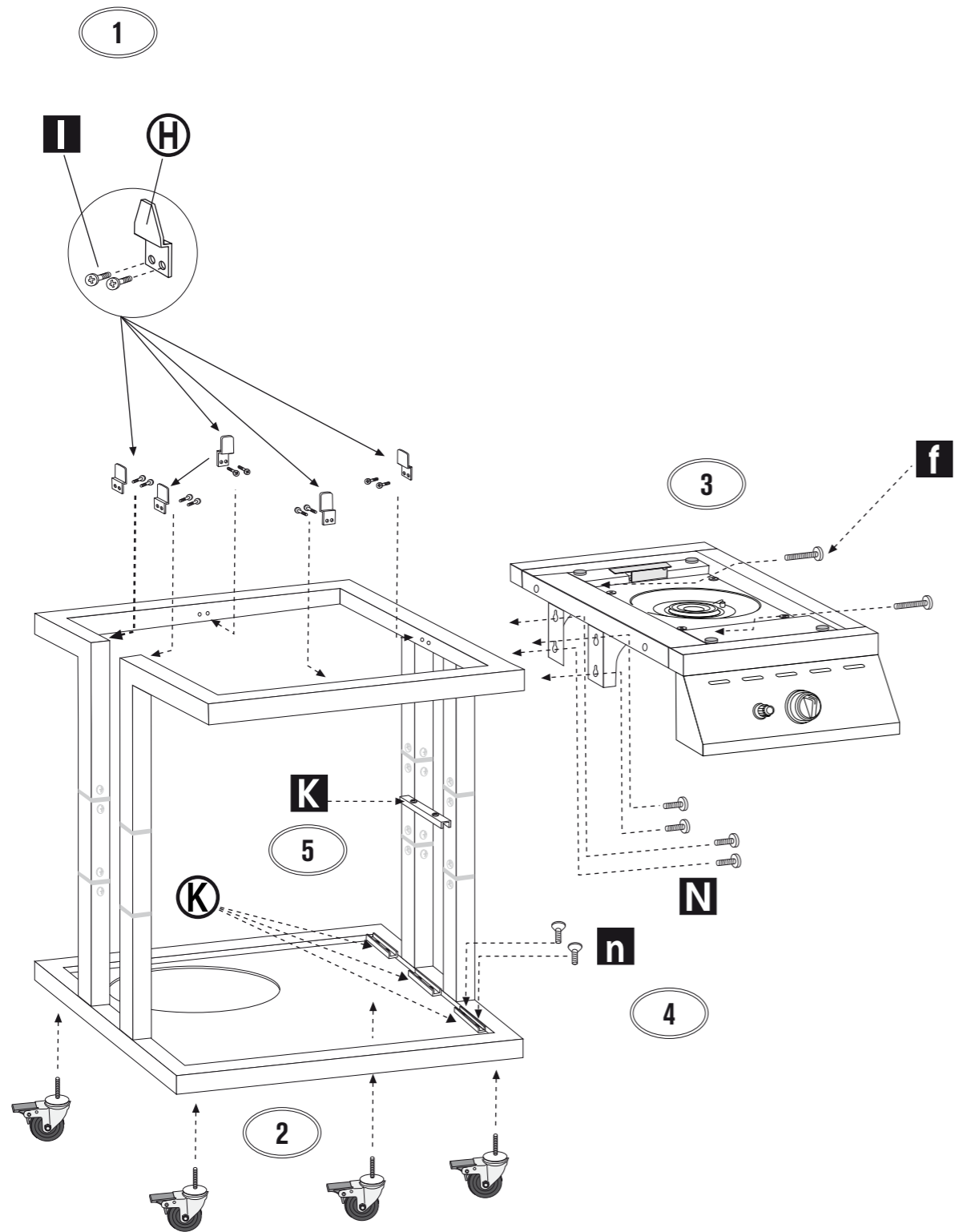


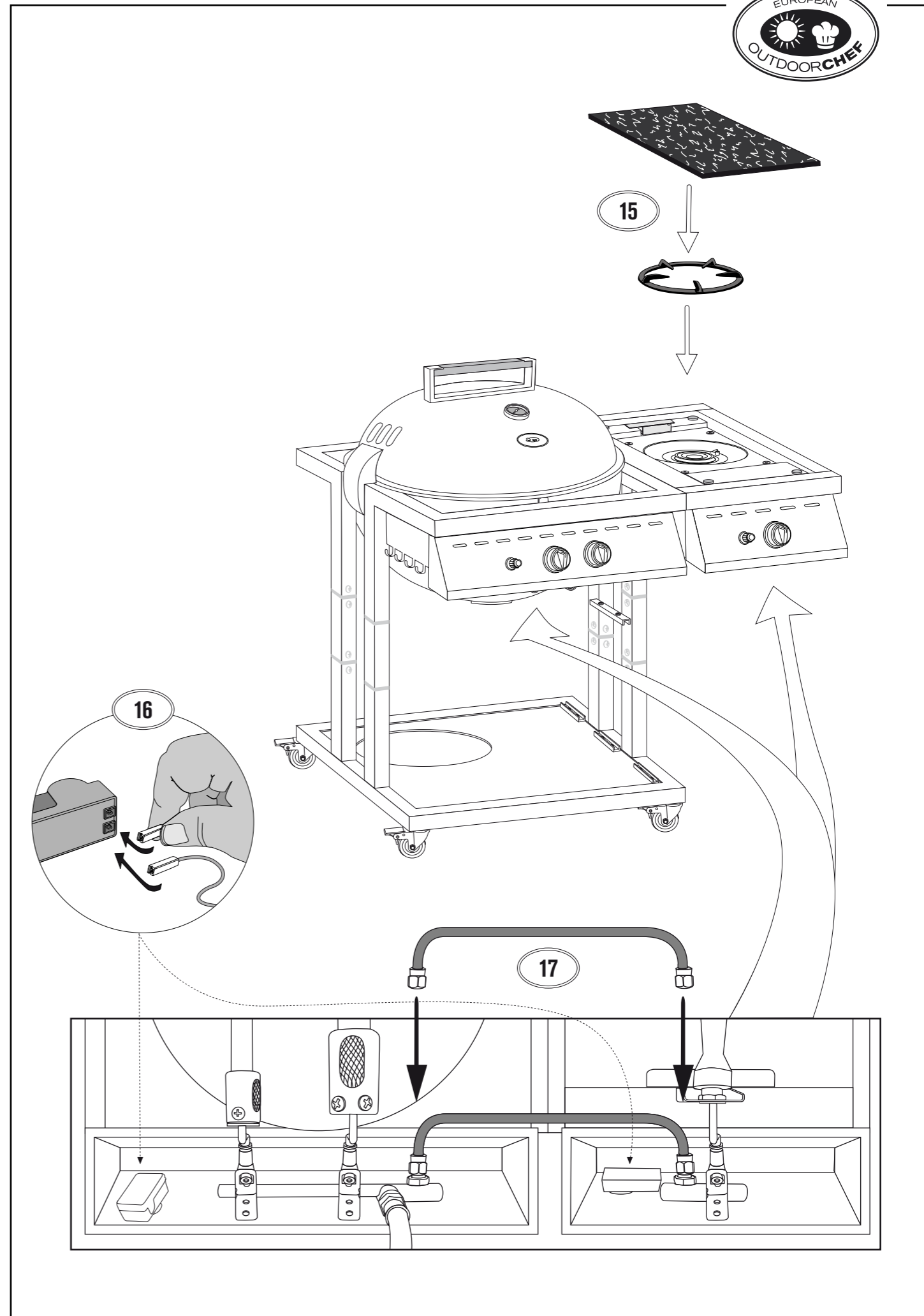
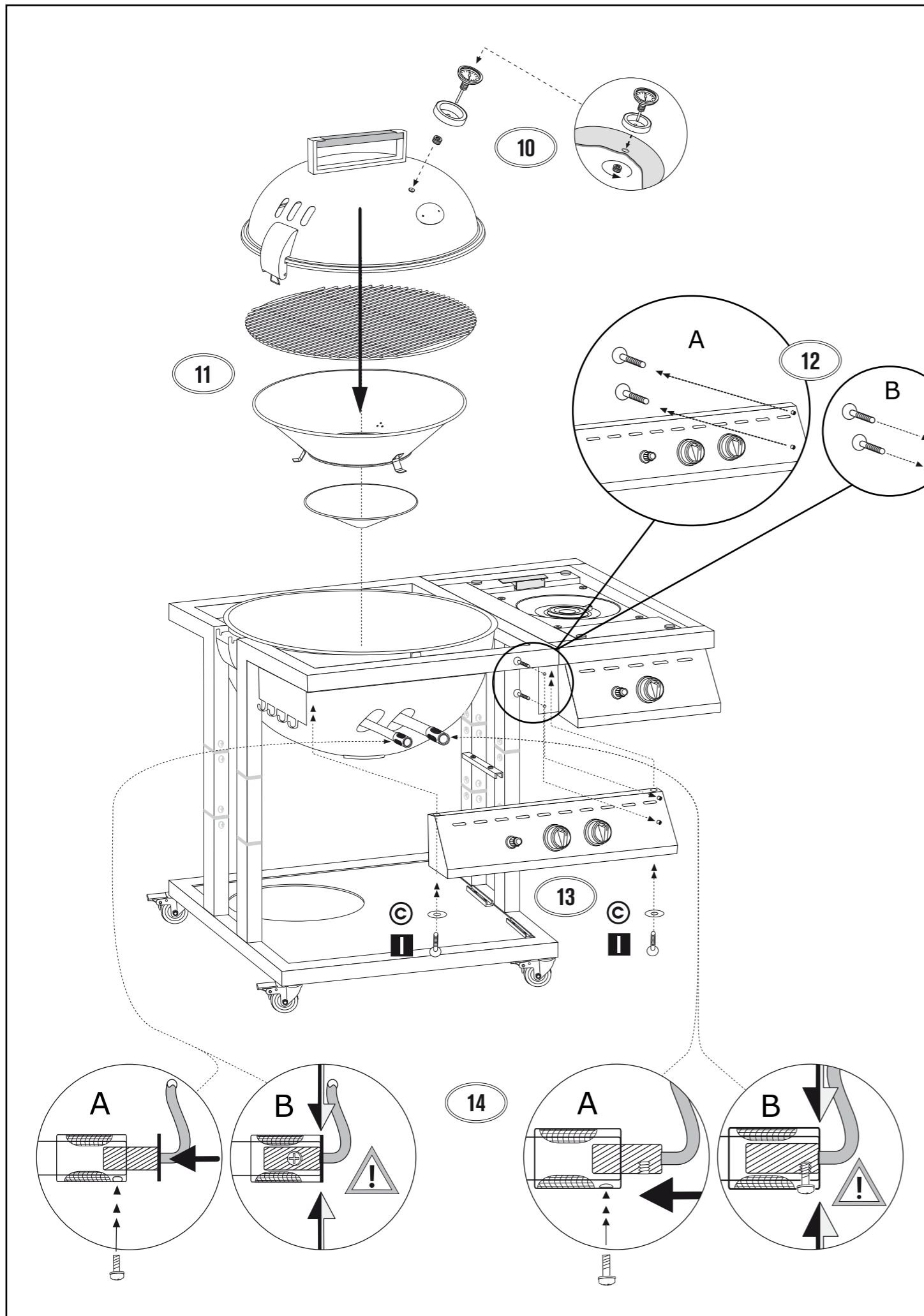
D



F




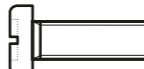



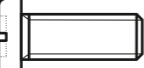

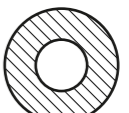



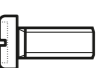



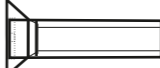



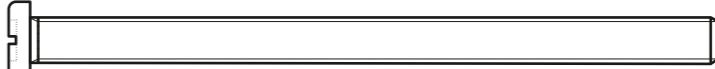
# Paris Deluxe 570G


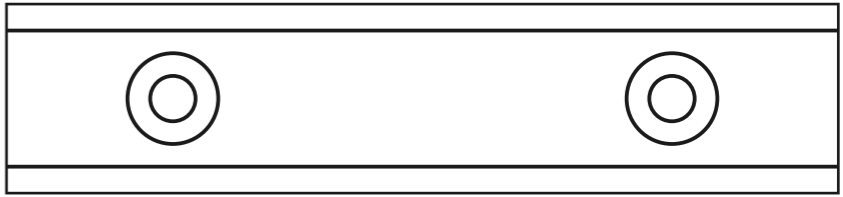


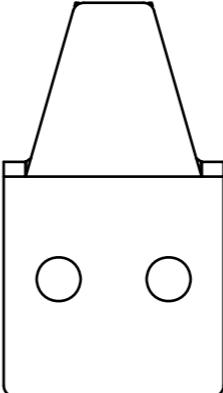
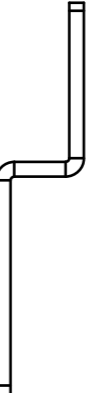
18.379.05

- 18x **I**   (18.370.25)
- 6x **C**   (18.370.62)
- 4x **N**   (18.370.08)
- 4x **Z**   (18.370.76)
- 2x **K**   (18.370.05)
- 2x **j**   (18.370.23)

- 6x **n**   (18.370.26)

- 2x **f**   (18.370.21)

- 3x **K**   (18.370.83)

- 5x **H**  (18.370.81)
- 4x **G**  (18.370.80)  
Protection Pin reserve

